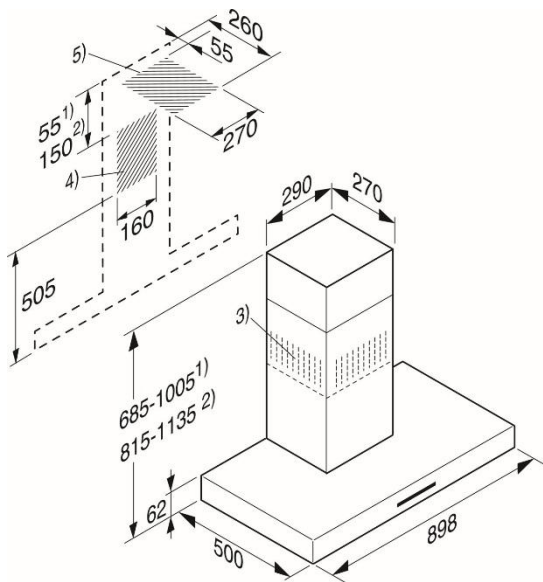


# Wall-mounted cooker hood PUR 98 W



## Product features

### •Design

- 90 cm-wide wall-mounted air extraction cooker hood
- For building in between wall units or independently mounting on the wall
- Buttons with LED lighting

### •Features

- 3 stainless steel flame-proof, replacement-free and dishwasher-safe filters
- **Illumination via LED lamps 3 x 3 Watt**
- Returnless air mechanism (prevents ingress of cold air in kitchen room)

### Specifications

- Extraction: with air extraction 650 m<sup>3</sup> / h (through duct diameter 150 mm) with air extraction 460 m<sup>3</sup> / h

Noise level in dB (A) re1pW:

- with duct diameter 150 (min-max, intensive): 47-56, 67
- with air circulation (min-max, intensive): 54-64, 71

### Controls

- 3 power level options
- Additional option for intensive operation
- Indication of filter cleaning or change of active carbon filter
- LED control buttons
- Security switch-off button
- Automatic deactivation of the intensive operation after 10 min

### •Optional accessories

- Active carbon filters to allow air cleaning by recirculation (DKF 12-1)
- Recycling air conversion kit (DUW 20)
- Variable diameter wall duct 150 mm (DAS 150)
- Control unit (DSM 400)

### Dimensions

- H x W x D: 68,5- 100,5 x 89, 8 x 50,0 cm (with air extraction)
- H x W x D: 81,5-113,5 x 89,8 x 50,0 cm (with air recirculation)

### Electrical connection

- Total connection rate: 230 Watt

### Colour

- Stainless steel

Made in	Germany
Code	10351370
EAN-CODE	4002515711408

Energy efficiency class: A  
Annual energy consumption in kWh : 49,7  
Fluid dynamic efficiency: A  
Lighting efficiency: A  
Grease filtering efficiency : A  
Sound power level in dB : 56

**Miele**