

# Downdraft cooker hood DA 6890 Levantar



## Product features

### Design

- 90 cm wide motorised downdraft extractor
- Can be built in the worktop
- Ideal combination with KM 6379 PowerFlex

### Features

- 2 stainless steel flame-proof, replacement-free and dishwasher-safe filters
- LED lighting (12 x 0,9 Watt) with dimmer
- Returnless air mechanism (prevents ingress of cold air in kitchen room)

### Specifications

- AC motor
- Edge extraction
- Extraction: with air extraction 710 m<sup>3</sup>/h (through duct diameter 150 mm) with air recirculation 490 m<sup>3</sup>/h (through duct diameter 150 mm)
- Noise level in dB (A) re1pW:
  - - with duct diameter 150 (intensive): 69
  - - with air circulation (intensive): 74

### Controls

- Touch controls on glass
- 3 power level options
- Additional option for intensive operation
- Operation extension time for 5 or 15 min
- Saturation indication for grease filters

### Optional accessories

- Active carbon filters to allow air cleaning by recirculation
- DASD 150 silencer
- Recirculation conversion kit
- DMK 150 masonry vent

### Dimensions

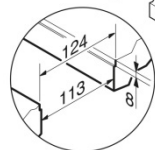
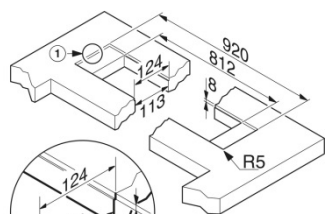
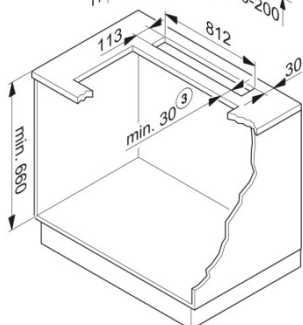
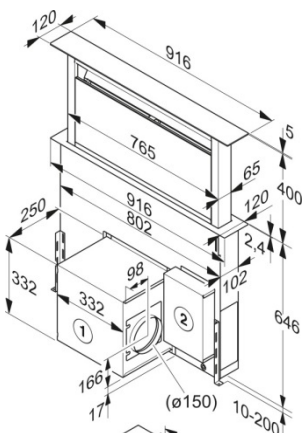
- H x W x D : 40,0 x 91, 6 x 120,0 cm
- Total canopy height: 1051 mm

### Electrical connection

- Total connection rate: 285 W

### Colour

- Stainless steel with black glass



Made in	Germany
Code	9750610
EAN-CODE	4002515434796

**Miele**